



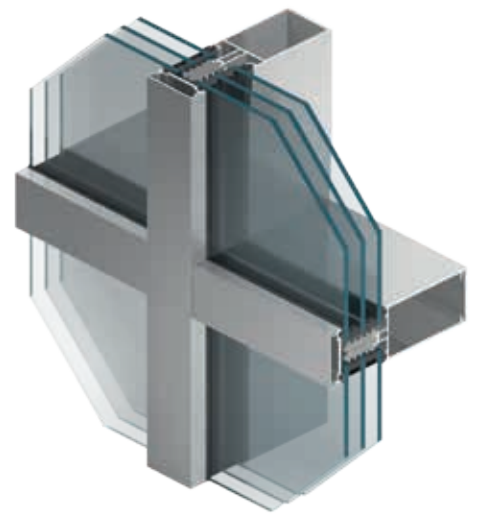
LET'S BUILD A BETTER FUTURE

Façade system

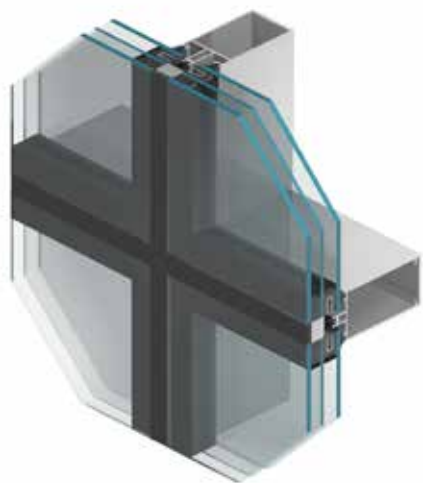
MB-SR60N **MB-SR60N HI+** **MB-SR60N EFEKT**

Façade system designed for construction of lightweight cladding systems – flat curtain walls, infill walls and other spatial structures. The 60 mm wide mullions and transoms enable construction of aesthetic façades with exposed narrow division lines while ensuring durability and strength of the structure. The system enables flush installation of the mullions and transoms on the outside surface and offers a choice of external appearances. The advantages of MB-SR60N system include very good technical parameters, freedom of spatial arrangement and a wide variety of openable elements mounted in the façade.

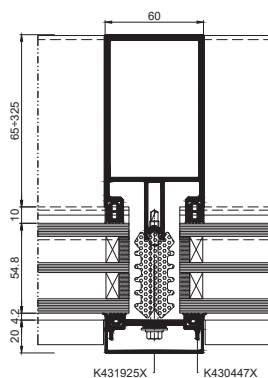
Particularly noteworthy is the MB-SR60N HI+ version of the system, which includes special insulation elements and features improved thermal insulation performance.



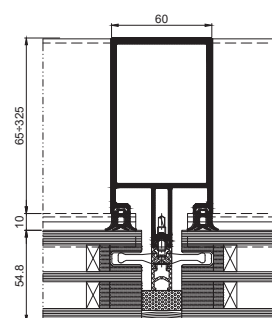
load of the transom: up to 1100 kg



MB-SR60N EFEKT



cross section through MB-SR60N HI+ mullion



cross section through MB-SR60N EFEKT mullion

FUNCTIONALITY AND AESTHETICS

- angular connections give freedom of arrangement of aluminium cladding
- sharp edged mullions and transoms give the facade support frame the look of a uniform lattice
- the different facade styles and a variety of overlay profiles of different shapes enable obtaining a number of different facade appearance variants
- good thermal insulation owing to a wide glazing range and the available insulation elements and accessories
- profiles can be bent to suit curved structures

TECHNICAL SPECIFICATION	MB-SR60N	MB-SR60N HI+	MB-SR60N EFEKT
Mullions depth		65 – 325 mm	
Transom depth		49.5 – 249.5 mm	
Inertia mullions (range Ix)		59.66 – 5856.30 cm ⁴	
Inertia transoms (range Iz)		32.07 – 1269.13 cm ⁴	
Glazing thickness		4 – 72 mm	

PERFORMANCE	MB-SR60N	MB-SR60N HI+	MB-SR60N EFEKT
Air Permeability		to AE 1350, EN 12152	AE 1200, EN 12152
Watertightness		to RE 1500, EN 12154	RE 1200, EN 12154
Windload resistance		2.4 kN/m ² , EN 13116	
Impact resistance		I5/E5, EN 14019	