



LET'S BUILD A BETTER FUTURE

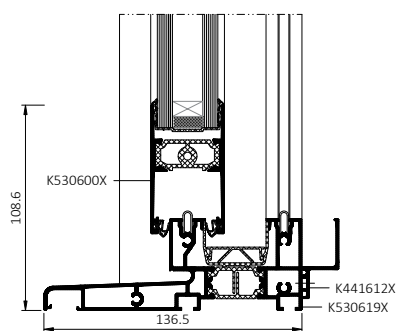
Sliding Patio Doors **MB-43 SLIDE MONO**

MB-43 SLIDE MONO is a sliding door system developed in line with the standards of contemporary French residential construction, with a strong focus on energy efficiency, refined detailing and installation within the thermal insulation layer. The system meets these requirements through monoblock frames designed for installation within the insulation layer with insulation thicknesses ranging from 100 to 200 mm. It allows the insulation around the glazed area to be concealed neatly, creating a clean, well-ordered façade and ensuring a consistent, carefully controlled appearance of architectural details in line with French design standards.

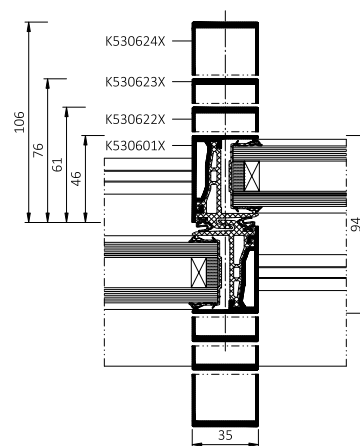
Slim profiles with clean lines, the absence of glazing beads and concealed drainage create a pure, understated form characteristic of contemporary architecture. MB-43 SLIDE MONO makes it possible to create large glazed areas, delivering maximum daylight while minimising the visible frame width. These doors provide a convenient terrace access solution seamlessly integrated into the building, embodying the minimalist spirit of French architecture. An additional advantage of the system is the option to integrate SKT OPOTERM lintel-mounted roller shutters. The aluminium profiles can be produced using low-carbon or even ultra-low-carbon aluminium, and at the end of their service life they are fully recyclable.



design and comfort



bottom door section



section through the door mullion

BENEFITS OF MB-43 SLIDE MONO DOORS FOR FABRICATORS:

- Fast and straightforward prefabrication without complex machining operations
- Reduced number of components and accessories for a simplified production process
- Aesthetic concealed drainage without additional drainage caps, or surface drainage option
- Compatibility with hardware from a leading French manufacturer
- Slimline construction enabling large and heavy glazed units

BENEFITS OF MB-43 SLIDE MONO DOORS FOR ARCHITECTS:

- Installation within the insulation layer without compromising aesthetics
- Minimalist form with clean lines and refined detailing
- Maximum daylight while maintaining façade consistency
- A system developed to meet the stringent architectural requirements of the French market

BENEFITS OF MB-43 SLIDE MONO DOORS FOR HOMEOWNERS AND END USERS:

- Aesthetic, well-ordered façades aligned with contemporary architectural standards
- High user comfort and the functionality of a sliding system
- Bright, open interiors thanks to large glazed areas
- The durability of aluminium and the long-term stability of the solution

TECHNICAL SPECIFICATION	MB-43 SLIDE MONO
Frame depth	70 mm (2-track profile)
Leaf depth	43 mm
Glazing thickness	28 – 32 mm
Maximum door leaf dimensions (H×W)	H to 2200 mm, W to 1500 mm

PERFORMANCE	MB-43 SLIDE MONO
Air permeability	class 3, EN 12207
Watertightness	class E 250, EN 12208
Wind load resistance	class C3, EN 12210
Thermal insulation	U_w from 1,2 W/(m ² K)*

* - U_w value for MB-43 SLIDE MONO doors measuring 3000 × 2200 mm, with $U_g=1,0$ W/(m²K)