



LET'S BUILD A BETTER FUTURE

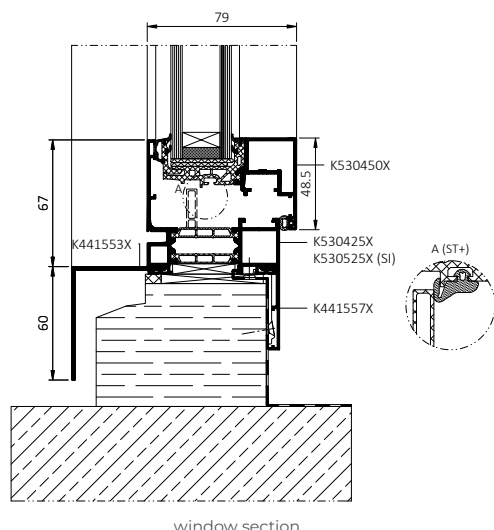
## Windows for Renovation Projects **MB-79N RENO**

MB-79N RENO is a modern aluminium window system developed specifically for renovation projects. It provides an ideal solution for upgrading existing buildings without interfering with their structure or compromising their original character. Thanks to installation without removing the existing frames, the system preserves walls and interior finishes intact, reducing installation time and delivering tangible savings in renovation costs. A wide range of configuration options allows the solution to be tailored precisely to each project, both for homeowners and institutional developers. The system is quick and straightforward to install.

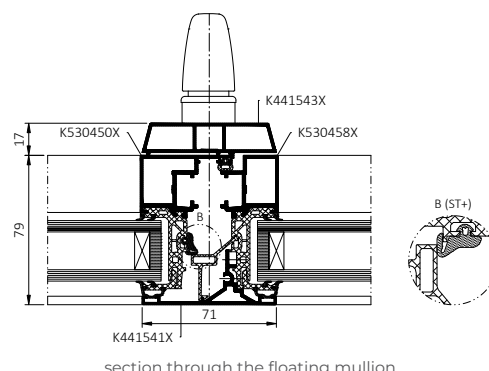
The window construction combines contemporary minimalist design with durability and lightweight performance. Slim profiles, a concealed sash and hidden drainage ensure maximum daylight penetration and an elegant appearance. Different thermal variants — E, ST and ST+ — optimised for double glazing units make it possible to adapt the system to the project's performance requirements and budget. The elimination of plastering works together with innovative prefabrication solutions further accelerates project completion. An additional advantage of the system is the option to integrate SKT OPOTERM top-mounted roller shutters. MB-79N RENO window components are manufactured in line with the principles of sustainable construction. The aluminium profiles can be produced using low-carbon or even ultra-low-carbon aluminium, and at the end of their service life they are fully recyclable.



reimagine in aluminium



window section



section through the floating mullion

## BENEFITS OF MB-79N RENO WINDOWS FOR FABRICATORS:

- Aesthetic concealed drainage system – eliminates the need for additional drainage caps, simplifying installation and improving the final appearance
- Co-extruded glazing bead with gasket – reduces the number of components and shortens prefabrication time
- Co-extruded thermal break with integrated internal glazing gasket – reduces the number of assembly operations, improving production efficiency
- Slim minimalist mullion with the option of a centrally positioned handle

## BENEFITS OF MB-79N RENO WINDOWS FOR ARCHITECTS:

- Contemporary design, durability and lightweight construction – an innovative combination of advanced solutions and a robust yet lightweight structure, ensuring long-term performance and user comfort
- Minimalist aesthetics and maximum daylight – slim profiles and concealed construction elements maximise natural light while enabling clean, refined architectural designs
- Concealed sash and hidden drainage – pure, uninterrupted lines without visible technical elements, reinforcing the modern minimalist appearance of the façade
- Consistent visual appearance across the window range, ideal for contemporary and industrial-style projects

## BENEFITS OF MB-79N RENO WINDOWS FOR DEVELOPERS AND HOMEOWNERS:

- Aesthetic solutions, high functionality, slim aluminium profiles and a wide range of configurations: single-sash windows, double-sash windows with floating mullion, and fixed lights

TECHNICAL SPECIFICATION	MB-79N RENO
Frame depth	70 mm
Leaf depth	79 mm
Glazing thickness	28 – 32 mm
Maximum door leaf dimensions (H×W)	H to 2200 mm, W to 1000 mm

PERFORMANCE	MB-79N RENO
Air permeability	to class 4, EN 12207
Watertightness	to 1950 Pa, EN 12208
Wind load resistance	class C3 (1200 Pa) / B3 (1200 Pa)
Thermal insulation	$U_w$ from 1,2 W/(m <sup>2</sup> K)*

\* -  $U_w$  value for a fixed MB-79N RENO window with sash dimensions of 1000 × 2200 mm and  $U_g=1,0$  W/(m<sup>2</sup>K)

